

**PACEMAKER  
PACKAGING  
CORPORATION**

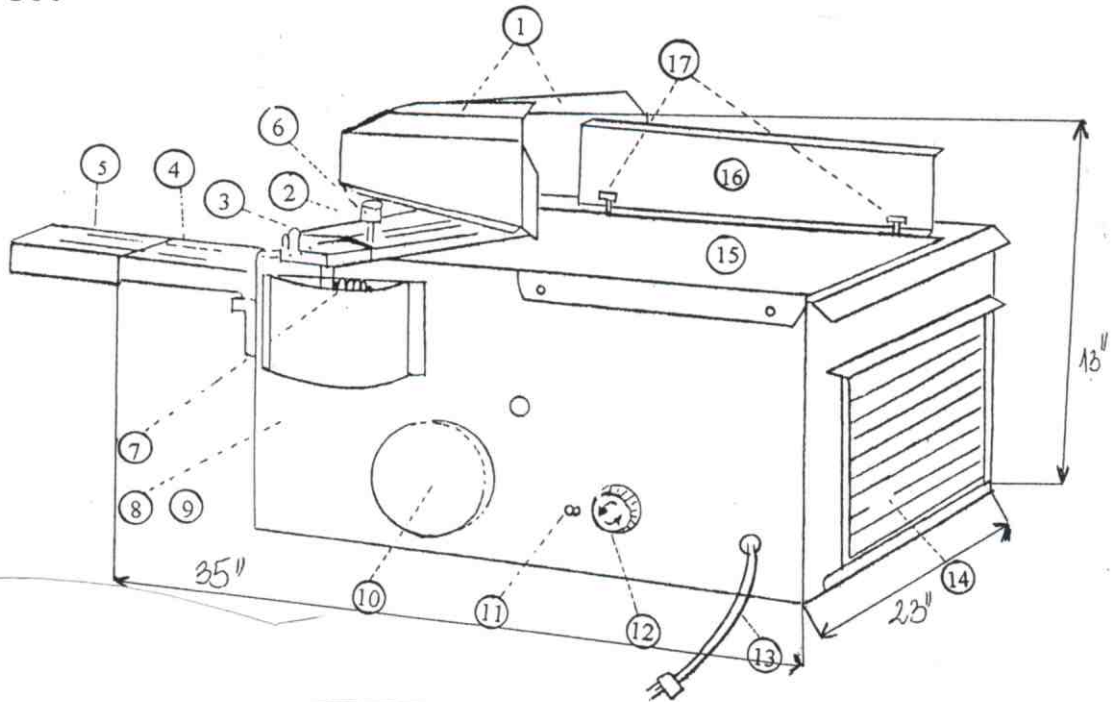
72-00 51<sup>ST</sup> ROAD  
WOODSIDE, NY 11377  
PHONE: (718) 458-1188  
FAX: (718) 429-2907  
[www.pacemakerpackaging.biz](http://www.pacemakerpackaging.biz)

**PACEMAKER BAG LOADING MACHINE  
SERIES 500**

**PARTS LIST**

**PACEMAKER PACKAGING CORP.**  
**72-00 51<sup>ST</sup> ROAD, WOODSIDE NY 11377**  
**PHONE: 718-458-1188, FAX: 718-429-2907**

**PACEMAKER BAG LOADING MACHINE**  
**SERIES 500**

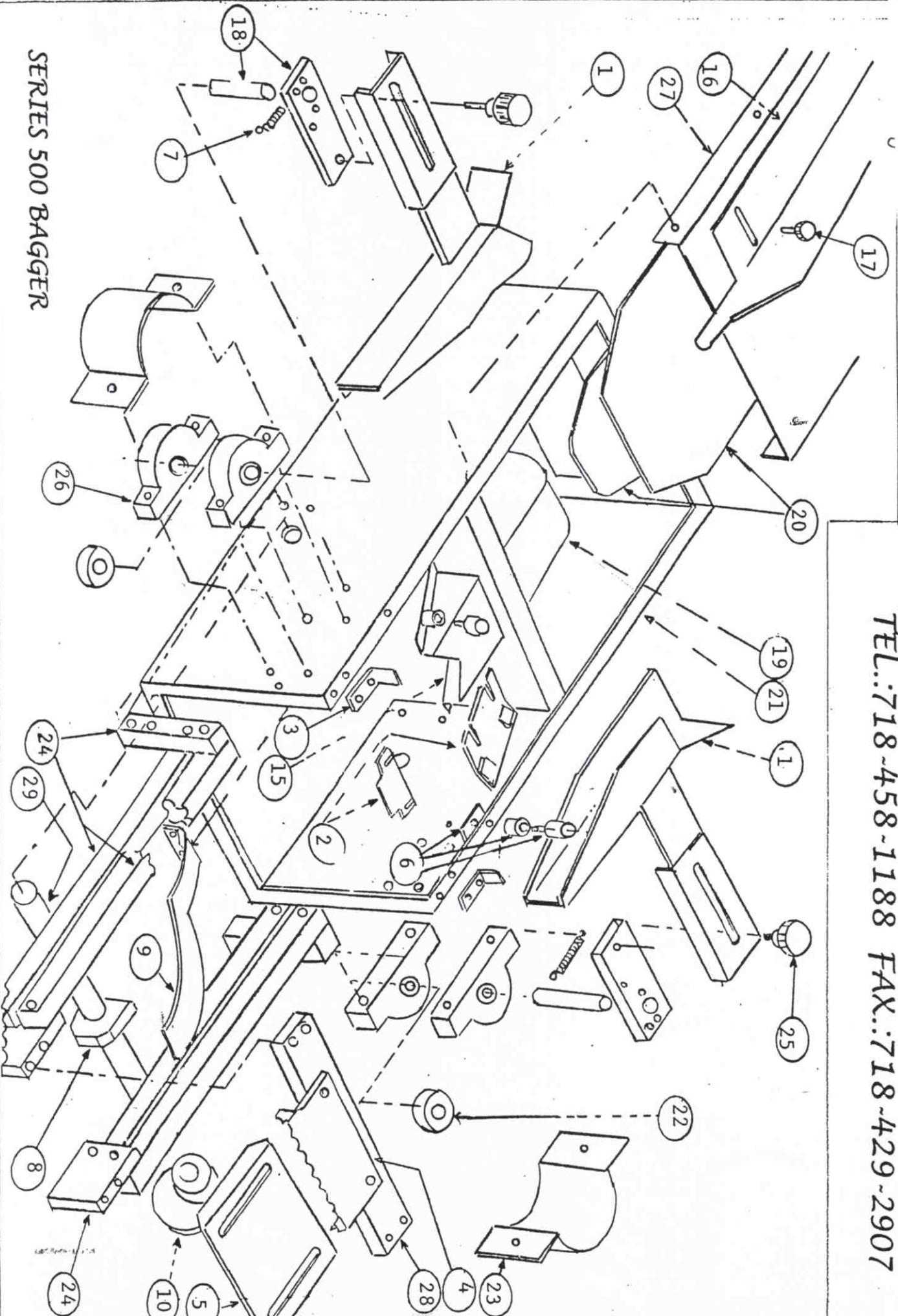


**PART#**

**DESCRIPTION**

BL5-01	Product entering arms L&R (sized and shaped to product)
BL5-02	Bag tongue plate (not visible) - manufactured for specific bag pack put-up and sized to product
BL5-03	Entering arm stop
BL5-04	Bag platform (inner section)
BL5-05	Bag platform (outer section)
BL5-06	Entering arm position adjusting knob
BL5-07	Entering arm tension spring
BL5-08	Bag platform tension cam (not visible)
BL5-09	Tension cam leaf spring (not visible)
BL5-10	Tension cam Adjustment dial
BL5-11	Pilot light
BL5-12	On/Off switch and air volume adjustment
BL5-13	Lead wire and plug
BL5-14	Air filter
BL5-15	Product receiving tray and air deflector
BL5-16	Adjustable L-guide
BL5-17	L-guide adjustment knobs

PACEMAKER PACKAGING CORPORATION  
72-00 51<sup>ST</sup> ROAD WOODSIDE, NY 11377  
TEL.: 718-458-1188 FAX.: 718-429-2907



SERIES 500 BAGGER

# PACEMAKER PACKAGING CORP., INC.

## Parts List for Bagger Series 500

Filter Criteria includes: 1) IDs from BL5-01 to BL5-30. Report order is by ID.

Item ID	Item Description
BL5-01	SET-PRODUCT ENTERING ARMS
BL5-02	Bag tongue plate
BL5-03	Entering arm front stop
BL5-04	Bag Platform (inner section)
BL5-05	Bag Platform (outer section)
BL5-06	Entering arm position back sto
BL5-07	Entering Arm Tension Spring
BL5-08	Bag platform tension cam
BL5-09	Tension cam leaf spring
BL5-09A	ENTERING ARM ADJ. KNOB SHORT
BL5-09B	ENTERING ARM ADJ. KNOB LONG
BL5-10	Tension cam adjustment dial
BL5-11	Pilot light
BL5-12	On/Off switch & air volume adj
BL5-13	POWER CORD
BL5-14	Air filter
BL5-14A	Bracket for Air Filter w/screw
BL5-15	Product receive tray & air def
BL5-16	Adjustable L-guide
BL5-17	L-guide adjustment knobs
BL5-18	PIVOT BLOCK ASSEMBLY L. & R.
BL5-19	MOTOR (BLOWER)
BL5-20	LEAD IN PLATE
BL5-22	COLLAR
BL5-23	PILLAR BLOCK COVER
BL5-24	BACK PLATFORM SUPPORT ASSEMBLY
BL5-25	ADJ. KNOB ON PRODUCT GUIDE
BL5-25A	ALUMINUM KNURLED KNOB
BL5-26	PILLAR BLOCK BEARING
BL5-27	PRODUCT PLATFORM
BL5-28	BACK PLATFORM SUPPORT CROSS
BL5-29	TENSION ROD (1/2" DIAMETER)
BL5-30	RUBBER FOOT