

DAMARK

APS SERIES

Automatic Shrink Packaging Systems



The APS series of Automatic "L" Sealers are the third generation of automatic shrink packaging systems engineered by **DAMARK**. With three different models and sizes to choose from, there is an APS machine for your packaging needs.

STANDARD FEATURES:

- 17" x 25" Seal Area
- Micro-Processor controlled low voltage sealing system
- Siemens PLC controlled electrical system
- Photocell product sensors
- Adjustable package transfer area
- Variable speed infeed and discharge conveyors
- Variable speed film unwind w/adj. inverting head
- Easy film loading and changeover
- Adjustable roller perforator air venting device
- Power film puller, adj. for height and pull direction
- Full safety features on seal head
- Internal vacuum scrap removal system w/manifold
- Heavy duty welded structural tube steel construction
- Heavy duty locking casters and adjustable legs
- Up to 30 packages per minute
- Operates with all shrink films

OPTIONS:

- Adjustable seal height
- Dual belted infeed separation conveyor
- Transition indexing/closing conveyor
- Hot Knife sealing head
- Plexiglass safety shield
- USDA approved epoxy paint
- Steel It stainless steel paint
- Spare parts kit
- Export wiring
- Audio visual operations indicator tower

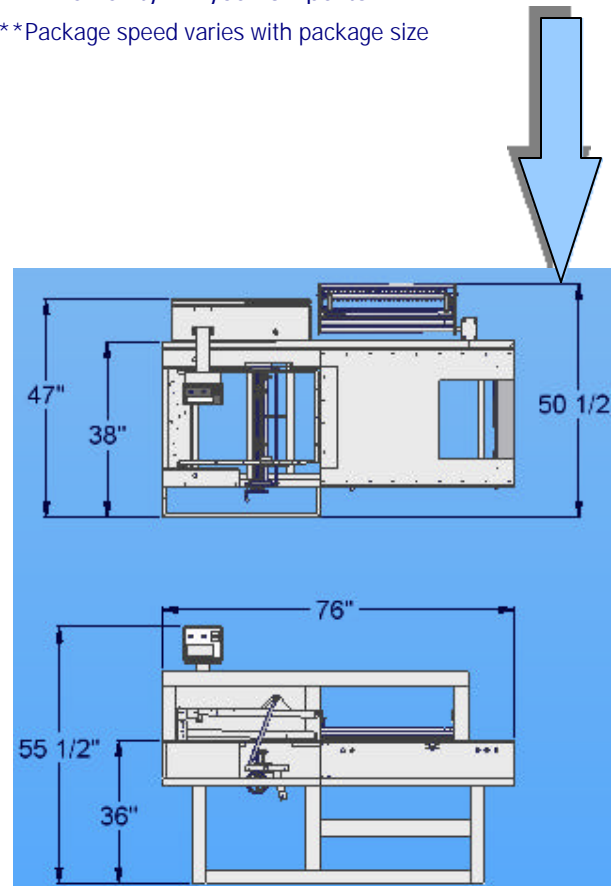
OPERATION:

Products may be hand or automatically loaded onto the wrapper's infeed conveyor. A photocell senses the product which activates a film advance system that carries it into the film and then sealing area. When the product is in place, in the seal area, the seal jaw activates sealing a bag around the product. After the seal cycle is complete the product is conveyed to the shrink tunnel conveyor.

TECHNICAL SPECIFICATIONS:

- Electrical - 220V/1PH/15A
- Compressed air - 75psi @ 4-5 cfm
- Effective seal area - 16" x 24"
- Maximum jaw opening - 6"
- Maximum film width - 24"
- Maximum package size - Determined by height
- Packaging speed - Up to 30 ppm**
- Conveyor speed - 0-50 fpm
- Conveyor height - 36" from floor
- Unit dimension - 60"H x 40"W x 90"L
- Shipping dims. - 68"H x 50"W x 110"L
- Shipping weight - 910 lbs
- F.O.B. factory
- Warranty - 1 year on parts

**Package speed varies with package size



DAMARK
SHRINK PACKAGING SYSTEMS

DAMARK PACKAGING INC

1200 Tapscott Road
Scarborough, Ontario
Canada M1X 1M5
Tel: (416) 609-8011
Fax: (416) 609-8008
www.damarkpackaging.com

DAMARK PACKAGING SYSTEMS INC.

P.O. Box 560901
Lewisville, TX
USA 75056-0901
Tel: (972) 625-8311
Fax: (972) 370-9113

DISTRIBUTED BY:

West Coast Plastics Equip.
800-392-8569
www.sealer.net